



**When product integrity counts...**  
Manufacturers of laboratory calibrated temperature and humidity data loggers,  
real-time monitoring and cold chain solutions

Lagging block

## Logging Block - Aluminium



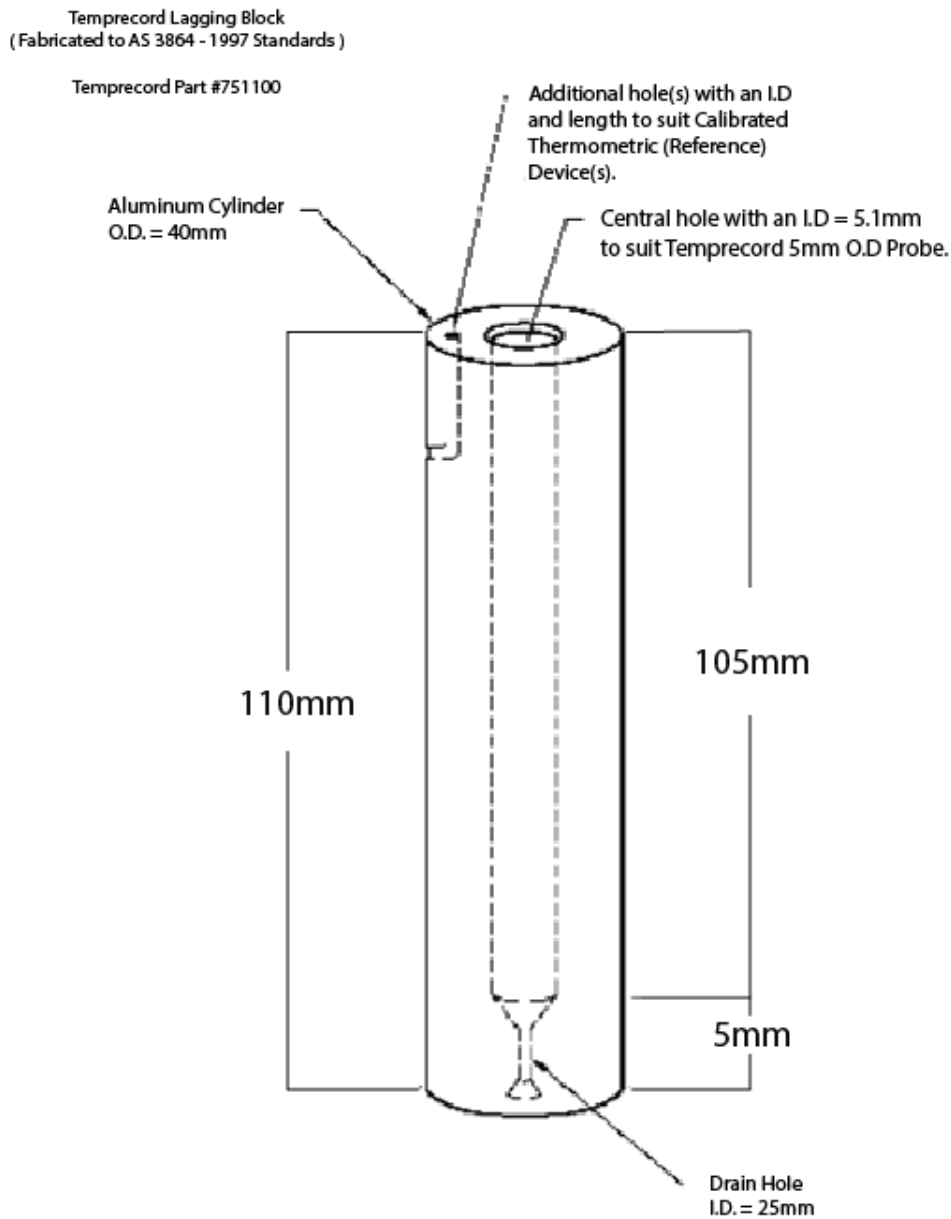
---

All correspondence to:  
Temprecord International Limited  
PO Box 58 430, Botany, Manukau 2163, NEW ZEALAND.  
Phone: (09) 274 9825, Fax: (09) 273 4020  
Email/Web: [info@temprecord.com](mailto:info@temprecord.com), [www.temprecord.com](http://www.temprecord.com)

Temprecord and Windows are Registered Trademarks



**When product integrity counts...**  
Manufacturers of laboratory calibrated temperature and humidity data loggers,  
real-time monitoring and cold chain solutions



DIMENSIONS IN MILLIMETERS

**NOTES:**

- 1 The I.D. of the central hole should be such as to allow for the sliding fit of the probe at the operating temperature
- 2 The thermal lagging block should be mounted at least 30mm from any solid object and in the return air pathway where air circulation is fan forced.

---

All correspondence to:  
Temprecord International Limited  
PO Box 58 430, Botany, Manukau 2163, NEW ZEALAND.  
Phone: (09) 274 9825, Fax: (09) 273 4020  
Email/Web: [info@temprecord.com](mailto:info@temprecord.com), [www.temprecord.com](http://www.temprecord.com)

Temprecord and Windows are Registered Trademarks